

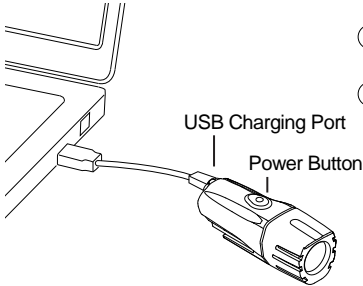


CYGOLITE User Guide

For Metro and Streak models

Charging the light

Fully charge the battery before using your lighting system.



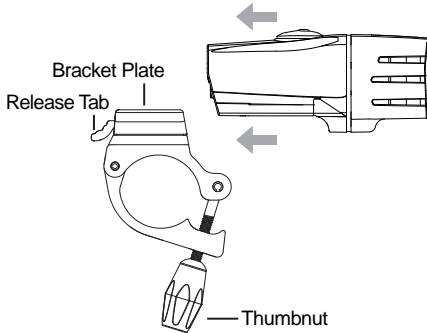
- 1 Connect the mini USB charging cable to the **USB charging port** and a computer/wall adapter.
- 2 The green lit **power button** indicates the charging status.

Flashing Green = Charging
Solid Green = Fully Charged

Charging time is 3~5 hours.

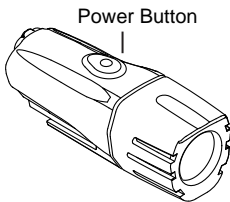
Note: Charge times vary by model. See packaging for details.

Mounting on the handlebar



- 1 Adjust the **bracket plate** to your preferred side to side swivel angle. Secure with a Phillips screwdriver. Tighten the screw periodically, if needed.
- 2 Unscrew the **thumbnut**. Then wrap the mount around the handlebars. Tighten the **thumbnut** until the mount is secured.
- 3 Slide the light into the mount as shown. Make sure that the light clicks into place.
- 4 To remove the light from the mount, press the **release tab** down and slide the light forward.

Operating the light



Turn On/Off

Press the **power button** to turn on.
Press and hold the **power button** to turn off.

Access Walking Mode (Metro only)

From the off position, press and hold the **power button** for about 2 seconds.

Scrolling Through Light Modes

Press the **power button**.

WARNING: Cycling during night and day is an inherently dangerous activity, but can be enjoyed when proper safety measures are taken. Exercise caution at all times and adhere strictly to traffic laws. This light was designed as a visual aid, not a device to prevent collision with other vehicles. Cygolite does not accept liability for injuries sustained from product usage. This light is not a replacement or substitute for CPSC approved reflectors. Never remove your bicycle's original reflectors. Always wear safety gear such as a helmet. Only use flashing modes during daytime. State laws regarding flashing bicycle lights may vary among states. Use the flashing modes in accordance to local, state, and federal laws. Due to the intensity of this light, do not look directly at the light and/or do not leave it unattended. The light may become hot during use. Provide adequate airflow to the light and use caution when handling. Do not carry or store the light when it is hot or shortly after use. Never disassemble, modify, and/or substitute any parts of this light. Keep the system away from combustible materials. Do not operate or submerge under water. Always verify that all parts are properly secured. Do not use if there is any damage, wear, or missing parts. Carrying a flash light is recommended. Always handle connectors by the plug, not the cable itself. Charge the battery with an approved 5V charger only. Using any other charger may result in damage or injury. The charger is for indoor use only. Unplug the battery from the charger after a full charge or if the battery is not in use.

This light is for bicycle use only.



Cygotite
Irvine, California
USA

© 2015 Cygotite. All rights reserved. No part of this user guide may be reproduced, modified, distributed, or stored in any form without prior written permission of the copyright owners. Patent pending