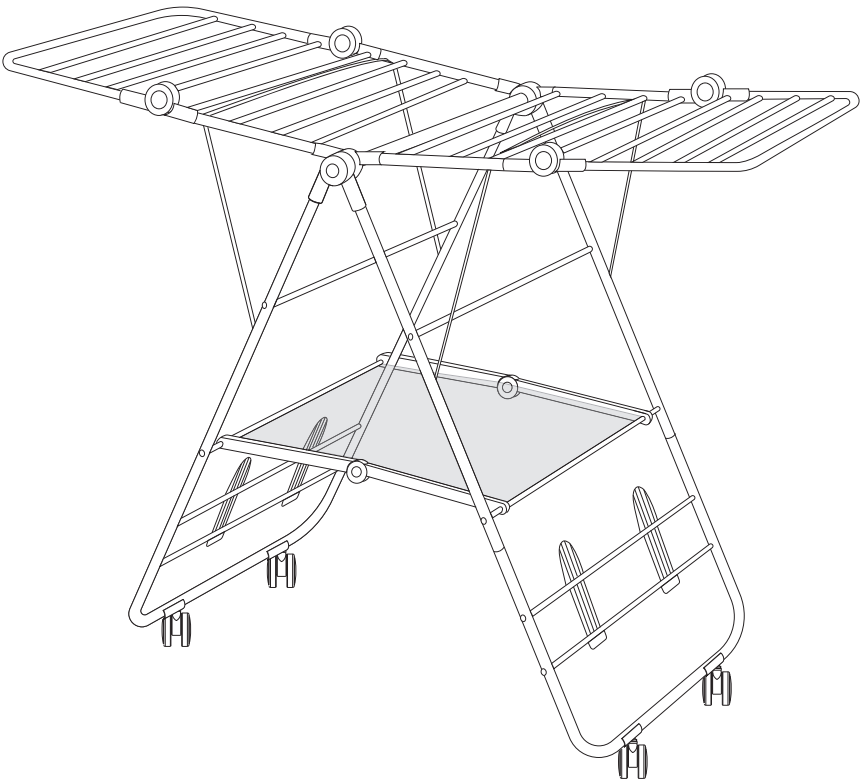




DRY-09804

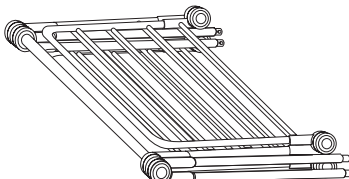
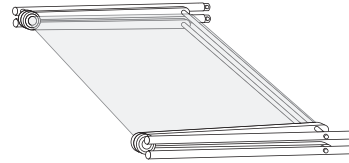
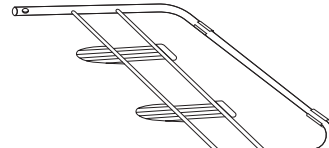
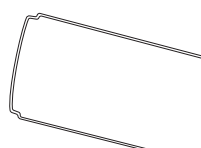
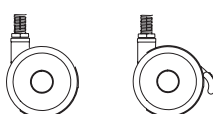

folding wing drying rack with wheels



57" L x 23.5" W x 38.5" H

**NOTE: total unit has a 50lbs max weight capacity when evenly loaded
If one wing is loaded far more, watch for tipping**

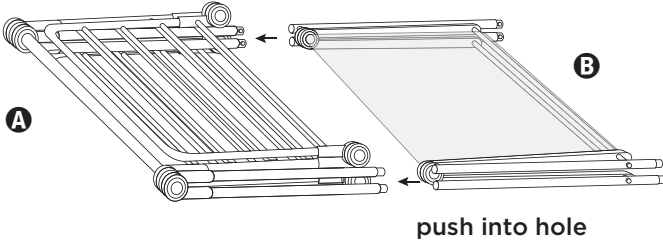
PARTS LIST

PART/ILLUSTRATION	(QTY)	DESCRIPTION
A 	(1)	wing top shelf and legs
B 	(1)	middle mesh shelf and legs
C 	(2)	bottom legs
D 	(2)	support bars
E 	(4)	wheels
F 	(1)	wrench

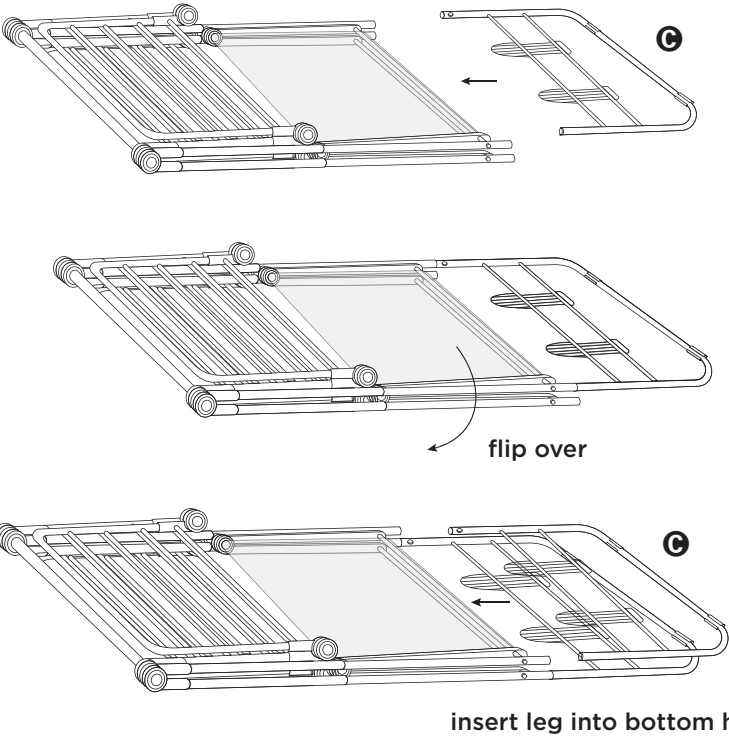
ASSEMBLY

1 NOTE: best to assemble flat on the floor

TIP: make sure mesh shelf is facing up with seams on underside

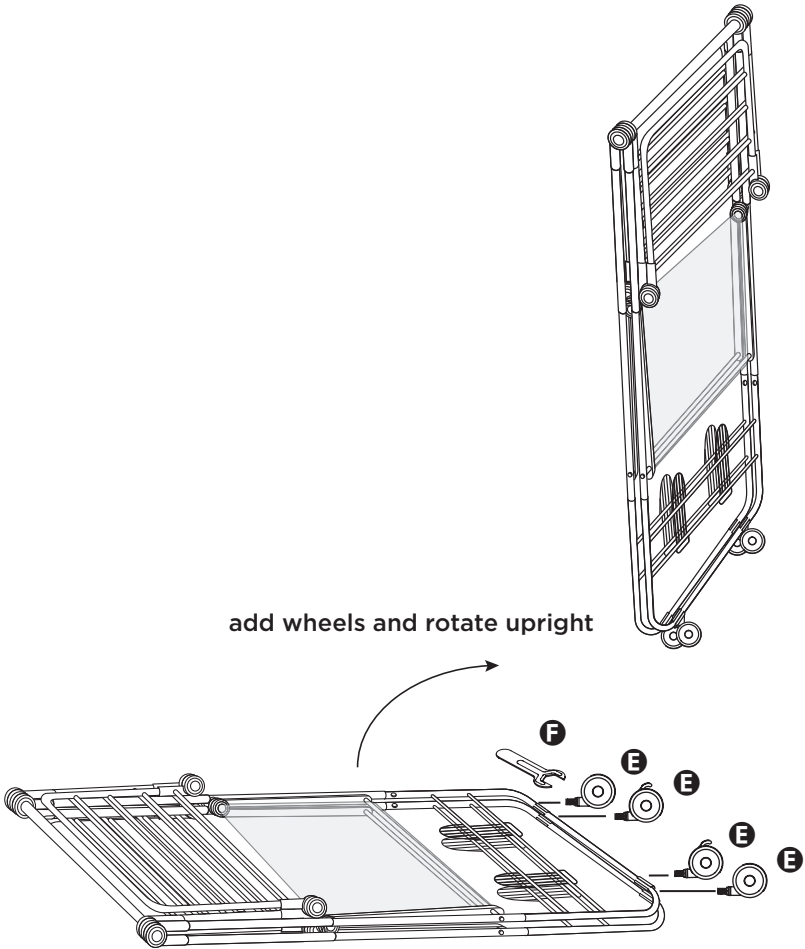


2 NOTE: make sure the letter **C** sticker is facing out when assembling to ensure wheels insert properly in next step



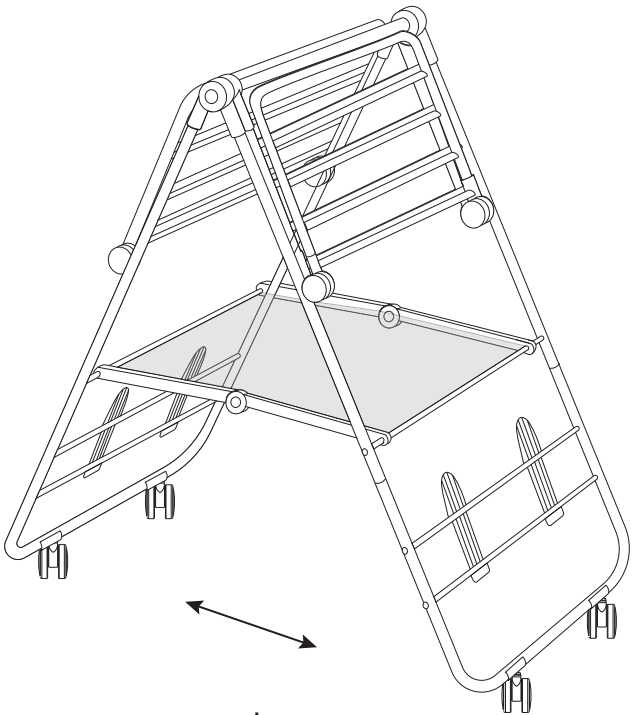
ASSEMBLY

3



ASSEMBLY

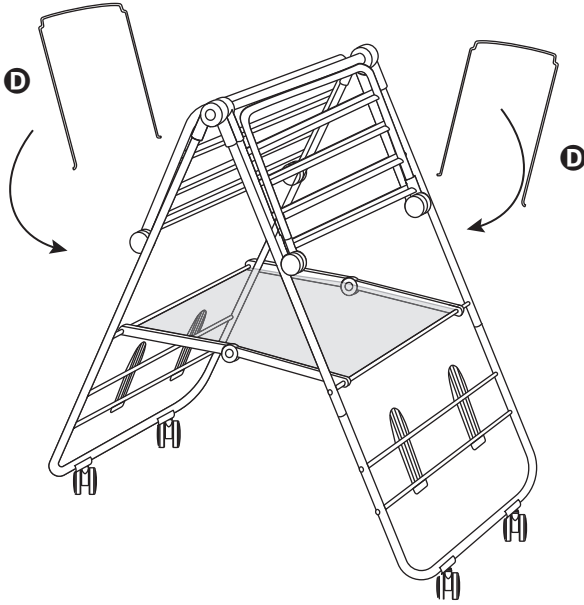
4



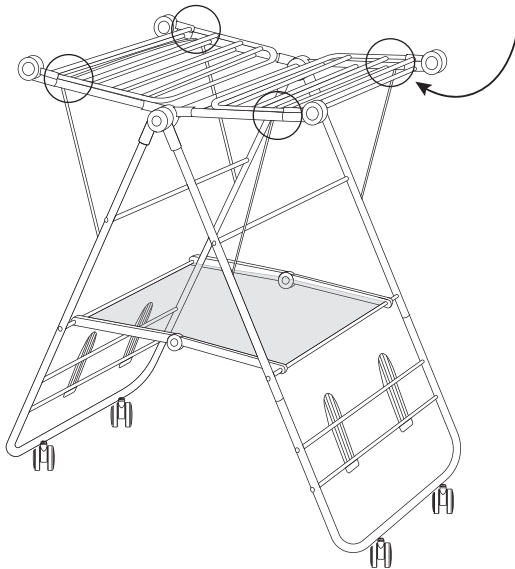
open legs

ASSEMBLY

- 5** insert support bars into holes on legs

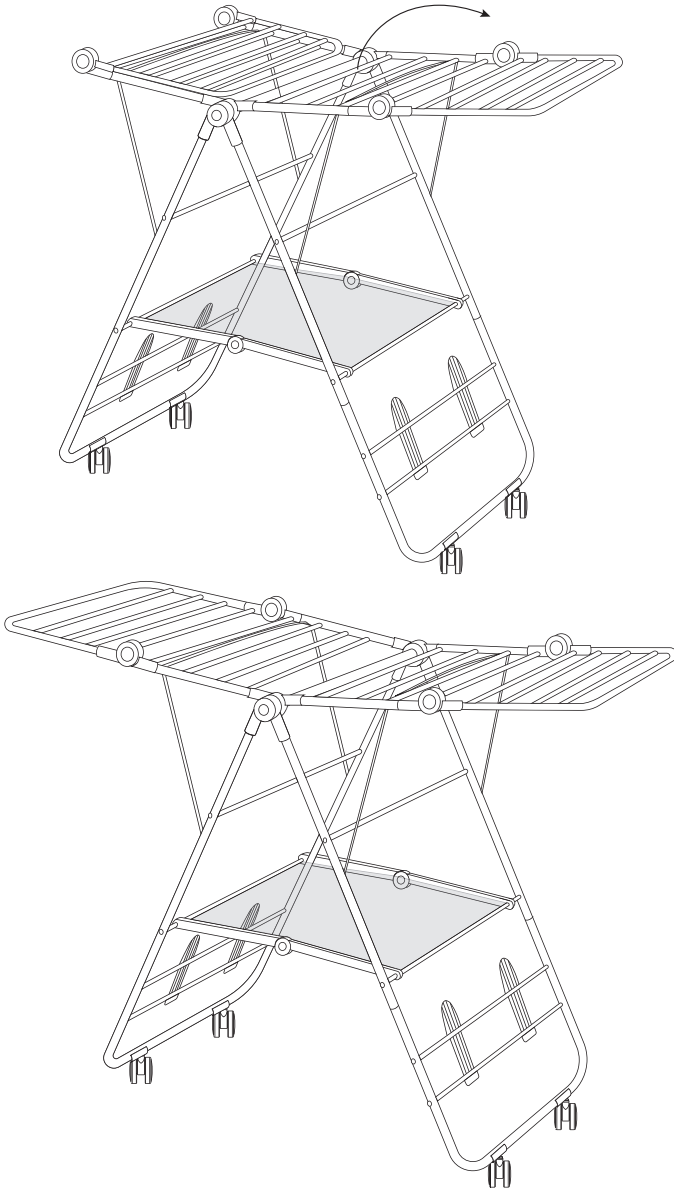


make sure support bars are placed just before the wing fold



ASSEMBLY

6 wings can be used fully opened, half folded or one down



TIP: shoe clips can be taken on and off with a click
two wheels lock to hold unit in place



honey•can•do

Honey-Can-Do International

5300 St. Charles Road, Berkeley, IL 60163 USA

877.242.2636 | honeycando.com | support@honeycando.com

©2022 Honey-Can-Do International, LLC | All Rights Reserved

Visit [youtube.com/myhoneycando](https://www.youtube.com/myhoneycando) to watch our assembly videos.

221005