

**INSTRUCTION MANUAL ENCLOSED
MANUEL D'INSTRUCTION À L'INTÉRIEUR
MANUAL DE INSTRUCCIONES ADJUNTO**

STOP

ATTENTION

STOP

**IF YOU HAVE ANY PROBLEMS OR QUESTIONS, EMAIL
OR CALL CUSTOMER SERVICE BEFORE YOU RETURN
THIS PRODUCT TO THE STORE WHERE IT WAS PURCHASED.**

For Customer Service:

**www.twinstarhome.com/duraflame/
in English Call: 800-318-9373**

ARRÊT

ATTENTION

ARRÊT

**SI VOUS AVEZ DES PROBLÈMES OU QUESTIONS,
ENVOYEZ UN COURRIEL AU SERVICE À LA CLIENTÈLE OU
APPELEZ LE SERVICE À LA CLIENTÈLE AVANT DE RETOURNER
CE PRODUIT OU VOUS L'AVEZ ACHETÉ.**

Pour le service à la clientèle:

**www.twinstarhome.com/duraflame/
pour le service en français: 800-318-9374**

PARE

ATENCIÓN

PARE

**SI TIENE ALGÚN PROBLEMA O PREGUNTAS, ENVÍE UN
MENSAJE DE CORREO ELECTRÓNICO O LLAME AL SERVICIO
DE ATENCIÓN AL CLIENTE ANTES DE DEVOLVER ESTE
PRODUCTO A LA TIENDA EN LA QUE LO COMPRÓ.**

Servicio de atención al cliente:

**www.twinstarhome.com/duraflame/
Línea para llamadas en español: 800-318-9374**

**INSTRUCTION MANUAL ENCLOSED
MANUEL D'INSTRUCTION À L'INTÉRIEUR
MANUAL DE INSTRUCCIONES ADJUNTO**

1500W Fan Heater

Homeowners Operating Manual

Model # : DFH-NH-3-T

CONSUMER SAFETY INFORMATION

READ ALL INSTRUCTIONS BEFORE USE.
FOR HOUSEHOLD USE ONLY.


WARNING

IF THE INFORMATION IN THIS MANUAL IS NOT FOLLOWED EXACTLY, AN ELECTRIC SHOCK OR FIRE MAY RESULT CAUSING PROPERTY DAMAGE, PERSONAL INJURY OR LOSS OF LIFE.

DO NOT STORE OR USE GASOLINE OR OTHER FLAMMABLE VAPORS AND LIQUIDS IN THE VICINITY OF THIS OR ANY OTHER APPLIANCE.

CONSUMER SAFETY INFORMATION

Whenever used, the following items identify safety and property damage messages and designate a level of hazard seriousness.

 - This is the safety alert symbol. It alerts you to potential personal injury hazards. Obey all safety messages that follow this symbol to avoid possible injury or death.

DANGER - Indicates an imminently hazardous situation, which, if not avoided, will result in death or serious injury. Usage of this signal word is limited to the most extreme situations.

WARNING - Indicates a potentially hazardous situation, which, if not avoided, could result in death or serious injury.

CAUTION - Indicates a potentially hazardous situation, which, if not avoided, may result in minor/moderate injury or product/property damage. It also alerts against unsafe practices.

NOTICE - Addresses practices not related to personal injury, such as product and/or property damage.

For Customer Service:

www.twinstarhome.com/duraflame/
English Call: 800-318-9373
Español /Français Call: 800-318-9374

Distributed by
Twin-Star International, Inc. Under license.
duraflame™ and the duraflame flame
logo are trademarks of Duraflame, Inc.

Twin-Star International, Inc.
Delray Beach, FL 33445
Made in China • Printed in China

Made in China

Printed in China

©2012, Twin-Star International, Inc.

IMPORTANT INSTRUCTIONS

When using electrical appliances, basic precautions should always be followed to reduce the risk of fire, electrical shock, and injury to persons including the following:

READ ALL INSTRUCTIONS BEFORE USE.

1. Keep the product out of the reach of children and pets. This product is not intended for use by children. Extreme caution is necessary when any heater is used near children or the physically challenged and whenever the heater is left operating and unattended.
2. Do not let bare skin touch hot surfaces, as heater is hot! To avoid burns, use the handle when moving this heater. Keep combustible materials, such as furniture, pillows, bedding, papers, clothes, and curtains at least 3 feet (0.9m) from all sides of the heater.
3. Always unplug the heater when not in use.
4. Do not use this product in bathrooms, laundry areas, or similar damp/wet indoor locations. Do not place the product where it may fall into a bathtub or other water container.
5. Do not run the power cord under carpeting or cover it with throw rugs, runners, or similar coverings. Arrange the cord away from traffic areas where it will not be tripped over.
6. To disconnect the product from an electrical outlet, turn any controls to the Off position, and then pull directly on the plug to remove it from the outlet; do not pull on the power cord.
7. Do not insert or allow foreign objects to enter any ventilation or exhaust opening of the product as this may cause electric shock or fire, or damage the heater.
8. Do not block air intakes or exhaust, as this may cause a risk of fire. Do not use the product on soft surfaces, such as a bed, where openings may become blocked.
9. Do not use this product in an area where gasoline, paint, or flammable liquids are used or stored, as this product has hot and arcing or sparking parts inside.
10. Do not place the product near a bed because objects, such as pillows or blankets, can fall off and be ignited by the product.
11. Use this product only as described in this manual. Any other use not recommended by the manufacturer may cause fire, electric shock, or injury to persons.
12. Do not immerse or expose the power cord, plug, or product to water or other liquids. If the product falls into water, immediately unplug it from the electrical outlet; do not touch or reach into the water. If water or other liquids reach any internal areas of this product, permanently discontinue its use.
13. Ensure the product is unplugged from the electrical outlet and allowed to cool before relocating or cleaning it.
14. Use the heater in a vertical position only.
15. Do not place the product in or near an open window. Rain, snow, or other weather elements could cause electrical short-circuiting in the product.
16. Do not use outdoors.
17. To disconnect heater, turn controls to the off position, then remove plug from outlet.
18. Do not plug into or unplug the product from the electrical outlet with a wet hand.

19. Do not operate this product if it has a damaged power cord or plug, if it malfunctions, or if it has been dropped or damaged. This product has no user-serviceable parts. Do not attempt to examine or repair this product yourself. Only qualified service personnel should perform any servicing; take the product to an appliance repair shop of your choice for inspection and repair.
20. This appliance is not intended for use by persons (included children) with reduced physical, sensory or mental capability, or lack of experience and knowledge, unless they have been given supervision or instruction concerning use of the appliance by a person responsible for their safety.
21. Children should be supervised to ensure that they do not play with the appliance.
22. This product is intended solely for indoor, non-commercial, non-industrial use in temporarily heating rooms. Do not use this product outdoors.
23. Do not operate the product continuously. Portable electric heaters are designed for finite space heating or as a supplementary heat source. They are not intended to be main sources of heat during the normal heating season.
24. Do not hang or wall-mount the product.
25. Place the product upright on a flat, level, stable, heat-resistant surface.

WARNING: This product is equipped with a polarized plug (one blade is wider than the other blade). To reduce the risk of electrical shock, this plug will fit into a polarized outlet only one way. This is a safety feature. If you are unable to insert the plug into the electrical outlet, try reversing the plug. If the plug still does not fit, contact a qualified electrician. Avoid the use of an extension cord because the extension cord may overheat and cause risk of fire. However, if you have to use an extension cord, the cord must be No.14 AWG minimum size and rated not less than 1875 Watts. The extension cord must be a three wire cord with grounding type plug and cord connection. The extension cord shall not be more than 20 feet (6 m) in length.

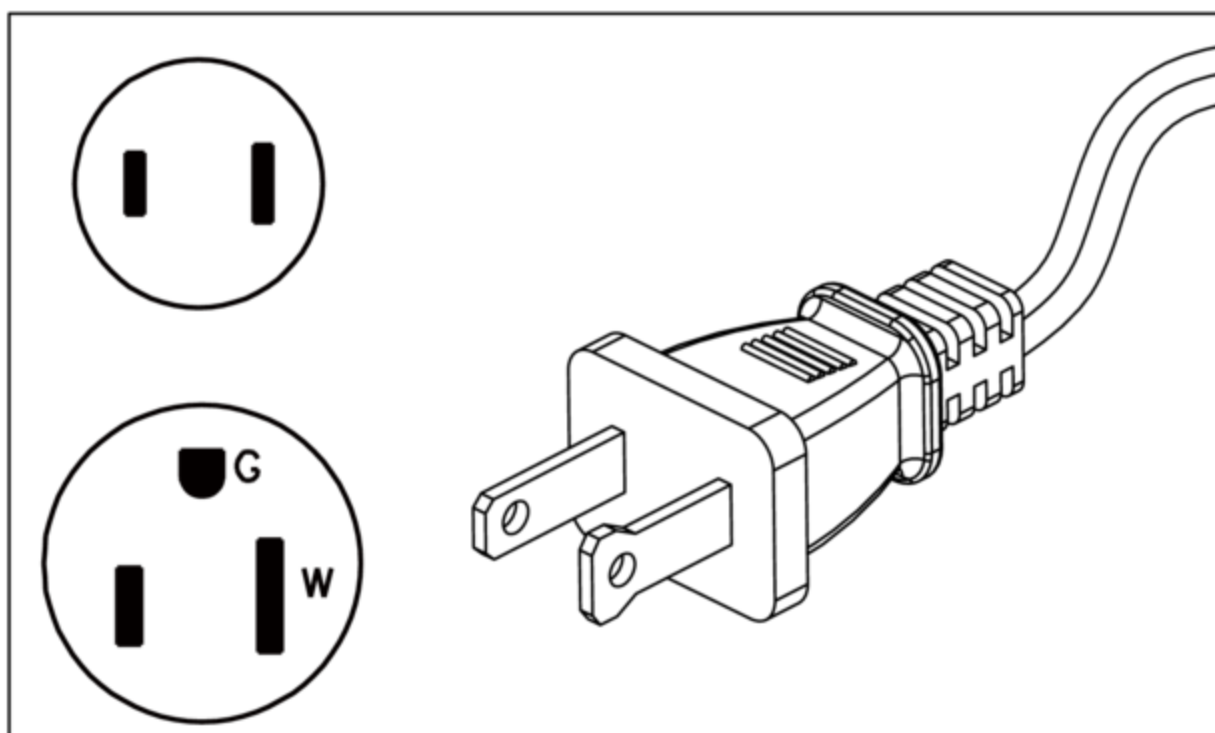


Figure A

SAVE THESE INSTRUCTIONS

PRODUCT SPECIFICATION

Voltage	Frequency	Wattage (Max)	Max. Amperage
120 V~	60 Hz	1500W	12.5 A

Note: Tolerances on all specification: +5%, -10%

PRODUCT ORIENTATION

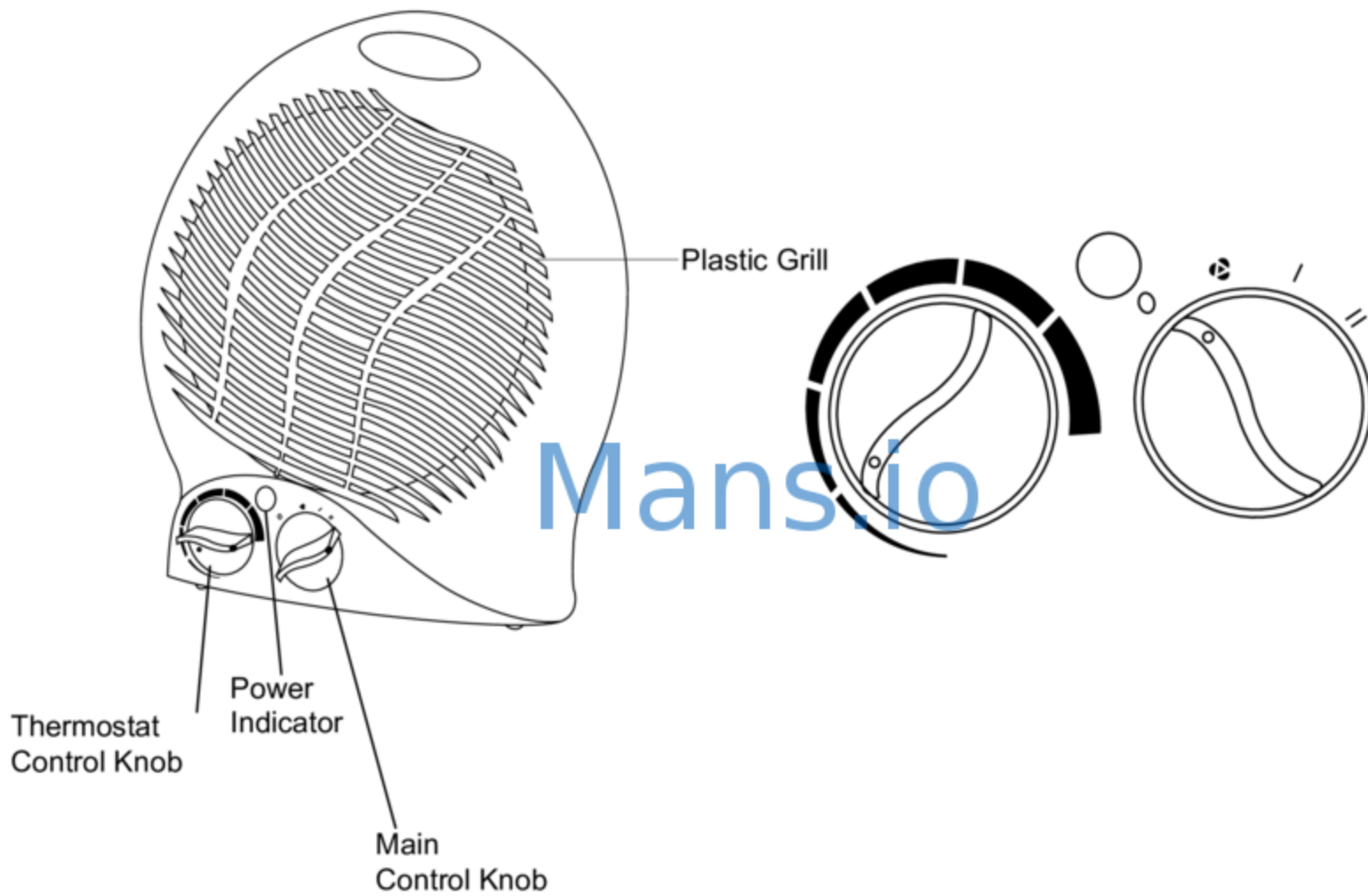



Figure B

OPERATION INSTRUCTIONS

1. Place the product upright on a flat, level, stable, heat-resistant surface, and then plug the Power Cord into a standard 120-volt electrical outlet.
2. Main Control Knob: Use this knob to set the heat setting (Figure B):
 - ""-fan only (no heat)
 - "I" – Low Heat Setting (750 Watts)
 - "II" – High Heat Setting (1500 Watts)
3. Turn the Thermostat Control Knob clockwise to its maximum range (Figure B). The Power Indicator will illuminate, indicating the Heater is on.
4. Allow the product to operate until the ambient room temperature reaches the desired comfort level.
5. Slowly turn the Thermostat Control Knob counter-clockwise until the product turns off. The product will cycle on and off to maintain the setting.
6. To adjust the thermostat, turn the Thermostat Control Knob towards maximum to increase the set ambient temperature and towards minimum to decrease it.
7. Turn off the product by rotating the Main Control Knob to the "O" position, and then unplug the product from the electrical outlet.

WARNING: Always unplug the product when it will be left unattended or not in use.

Safety Protection Systems

This product has protection safeguards that shut off the product when parts become excessively hot or if it tips over. If the product shuts off, immediately turn the Control to the "OFF" position and unplug it from the electric outlet.

If overheated:

- a. Remove any objects near the product that may cause overheating. Use the product in a well-ventilated area. Keep at least 3 feet (0.9 meters) of space on all sides of the product to allow adequate air circulation.
- b. Allow the product to cool down for at least 10 minutes before plugging it back into an electric outlet for re-use.

If tipped over:

Place the product on a flat, level, stable surface in order to prevent the product from tipping over again.

TIP: Always install and maintain at least one smoke detector in good operating condition on each floor of your home. Periodically check and/or replace the battery in your smoke detector with a new battery.

CARE AND MAINTENANCE

WARNING: Do not attempt to disassemble this product for any reason, as incorrect re-assembly could cause a risk of fire or electric shock. Only qualified service personnel should perform any servicing.

WARNING: Always unplug the product from the electrical outlet and allow it to cool before cleaning or storing it.

NOTICE: This product is permanently lubricated at the factory before shipping and will not require further lubrication for the life of the product.

Clean only the exterior surface by wiping with a soft, damp cloth, and allow the product to dry completely before storing or using. Dust can be removed from any vents using a small vacuum.

WARNING: Do not allow water or other liquids to enter the interior of the product.

NOTICE: Do not use abrasive cleaners/pads to clean the product.

To store, wind and secure the power cord using a twist tie or rubber band, and then place the product in a cool, dry location.

Mans.io

1-YEAR LIMITED WARRANTY

The manufacturer warrants that your new Electric heater is free from manufacturing and material defects for a period of one year from date of purchase, subject to the following conditions and limitations.

1. Install and operate this Electric heater in accordance with the installation and operating instructions furnished with the product at all times. Any unauthorized repair, alteration, willful abuse, accident, or misuse of the product shall nullify this warranty.
2. This warranty is non-transferable, and is made to the original owner, provided that the purchase was made through an authorized supplier of the product.
3. The warranty is limited to the repair or replacement of part(s) found to be defective in material or workmanship, provided that such part(s) have been subjected to normal conditions of use and service, after said defect is confirmed by the manufacturer's inspection.
4. The manufacturer may, at its discretion, fully discharge all obligations with respect to this warranty by refunding the wholesale price of the defective part(s).
5. Any installation, labor, construction, transportation, or other related costs/expenses arising from defective part(s), repair, replacement, or otherwise of same, will not be covered by this warranty, or shall the manufacturer assume responsibility for same.
6. The owner/user assumes all other risks, if any, including the risk of any direct, indirect or consequential loss or damage arising out of the use, or inability to use the product, except as provided by law.
7. All other warranties – expressed or implied –with respect to the product, its components and accessories, or any obligations/liabilities on the part of the manufacturer are hereby expressly excluded.
8. The manufacturer neither assumes, nor authorizes any third party to assume on its behalf, any other liabilities with respect to the sale of the product.
9. The warranties as outlined within this document do not apply to non accessories used in conjunction with the installation of this product.
10. This warranty gives you specific legal rights, and you may also have other rights which vary from state to state.

This warranty is void if:

- a. The heater is subjected to prolonged periods of dampness or condensation.
- b. Any unauthorized alteration, willful abuse, accident, or misuse of the product.
- c. You do not have the original receipt of purchase.

IF WARRANTY SERVICE IS NEEDED

Contact the manufacturer by calling customer service department at 1-800-318-9373, 9 a.m.-5 p.m., EST, Monday-Friday. Make sure you have your warranty, your sales receipt, location of purchase and the model/serial number of your product.

Calentador Con Ventilador de 1500W

MANUAL DE OPERACIÓN DEL PROPIETARIO

MODELO # : DFH-NH-3-T

INFORMACIÓN SOBRE SEGURIDAD PARA EL CONSUMIDOR

LEA TODAS LAS INSTRUCCIONES ANTES DE UTILIZAR EL PRODUCTO.
PARA USO DOMÉSTICO ÚNICAMENTE.


ADVERTENCIA

EN CASO DE NO SEGUIR LA INFORMACIÓN EN ESTE MANUAL
CON EXACTITUD, PODRÍAN PROVOCARSE DESCARGA ELÉCTRICA
O INCENDIO Y DAÑOS A LA PROPIEDAD, LESIONES PERSONALES O
LA PÉRDIDA DE LA VIDA.

NO GUARDE NI USE GASOLINA NI OTROS VAPORES Y LÍQUIDOS
INFLAMABLES CERCA DE ESTE APARATO, NI DE CUALQUIER OTRO.

INFORMACIÓN SOBRE SEGURIDAD PARA EL CONSUMIDOR

Los siguientes elementos, siempre que se utilizan, identifican mensajes de seguridad y daños a la propiedad, y designan un nivel de gravedad de riesgo.

 - Éste es el símbolo de una alerta de seguridad. Se usa para prevenir al operario de las lesiones corporales que podría sufrir. Siga todas las instrucciones que acompañan este símbolo para evitar posibles lesiones o la muerte.

PELIGRO: Indica una situación de peligro inminente que, si no se evita, provocará la muerte o lesiones graves. El uso de esta palabra de advertencia está limitado a las situaciones más extremas.

ADVERTENCIA: Indica una situación de peligro potencial que, si no se evita, podría ocasionar la muerte o lesiones graves.

PRECAUCIÓN: Indica una situación de peligro potencial que, si no se evita, podría ocasionar lesiones leves o moderadas o daños al producto o a la propiedad.

También, advierte acerca de prácticas que no son seguras.

AVISO: Advierte de la existencia de prácticas que no están relacionadas con lesiones personales, como por ejemplo, daños al producto y a la propiedad.

Servicio de atención al cliente:

www.twinstarhome.com/duraflame/
Inglés llamadas: 800-318-9373
Español /Français llamadas: 800-318-9374

Impreso en China
Fabricado en China
©2012, Twin-Star International, Inc.

INSTRUCCIONES IMPORTANTES

Al utilizar aparatos eléctricos, siempre deberán tomarse precauciones básicas para reducir el riesgo de incendio, descarga eléctrica y lesiones a personas. Éstas incluyen:

LEA TODAS LAS INSTRUCCIONES ANTES DE UTILIZAR EL PRODUCTO.

1. Mantenga el producto fuera del alcance de los niños y las mascotas. Este producto no ha sido diseñado para ser utilizado por niños. Es necesario tener sumo cuidado cuando el calentador se utiliza cerca de niños o personas con discapacidades físicas, y siempre que se deja funcionando y sin supervisión.
2. No toque las superficies calientes, ya que el calentador se calienta mucho cuando está en uso. Para evitar quemaduras, use el asa para trasladar el calentador. Mantenga los materiales inflamables, como muebles, almohadas, ropa de cama, papeles, prendas de vestir y cortinas a un mínimo de tres pies (0,9 m) de distancia de todos los lados del calentador.
3. Siempre desenchufe el calentador cuando no esté en uso.
4. No utilice este producto en baños, áreas de lavado o lugares interiores húmedos similares. No coloque este producto donde podría caerse en una bañera o en otro recipiente con agua.
5. No coloque el cable de electricidad debajo de alfombras ni lo cubra con tapetes, alfombras pequeñas o revestimientos similares. Coloque el cable lejos de las áreas de paso y donde no ocasione tropezones.
6. Para desconectar el producto de un tomacorriente eléctrico, coloque los controles en la posición de apagado (OFF) y luego retire el enchufe del tomacorriente; no tire del cable.
7. No introduzca ni permita que objetos extraños ingresen a ninguna abertura de ventilación o escape del producto, ya que esto podría causar una descarga eléctrica o incendio o bien dañar el calentador.
8. No bloquee las entradas ni las salidas de aire, ya que esto podría provocar un riesgo de incendio. No utilice el producto sobre superficies blandas, como una cama, donde las aberturas podrían bloquearse.
9. No utilice este producto en un área donde se usen o guarden líquidos inflamables, gasolina o pintura, ya que el producto contiene piezas calientes y piezas que producen arcos eléctricos o chispas en el interior.
10. No coloque el producto cerca de una cama, ya que ciertos objetos, tales como almohadas o mantas, podrían caer e incendiarse.
11. Utilice este producto únicamente como se describe en el manual. Cualquier otro uso no recomendado por el fabricante podría causar un incendio, una descarga eléctrica o lesiones.
12. No sumerja el cable de electricidad, el enchufe o el producto en agua u otros líquidos, ni los exponga a ellos. Si el producto se cayera al agua, desenchúfelo de inmediato del tomacorriente eléctrico; no lo toque ni entre en contacto con el agua. Si el agua u otros líquidos entraran en contacto con cualquiera de las áreas internas del producto, deje de usarlo de forma permanente.
13. Asegúrese de que el producto esté desenchufado del tomacorriente y déjelo enfriar antes de colocarlo en otro lado o de limpiarlo.
14. Utilice el calentador en posición vertical únicamente.
15. No coloque el producto en una ventana abierta o cerca de ella. La lluvia, la nieve u otras condiciones climáticas podrían provocar un cortocircuito eléctrico en el producto.
16. No utilice el aparato en exteriores.

17. Para desconectar este aparato, coloque los controles en la posición de apagado y luego retire el enchufe del tomacorriente.
18. No enchufe ni desenchufe el producto del tomacorriente eléctrico con las manos mojadas.
19. No haga funcionar el producto si el enchufe o el cable de electricidad está dañado, si no funciona correctamente o si se ha caído o dañado. Este producto no incluye piezas a las que el usuario pueda hacerles mantenimiento. No intente examinar o reparar el producto usted mismo. Todas las tareas de mantenimiento deben ser realizadas sólo por personal calificado; lleve el producto a un taller de reparación de electrodomésticos que usted elija para su inspección y reparación.
20. Este aparato no está diseñado para ser utilizado por personas (incluidos niños) con capacidades físicas, sensoriales o mentales reducidas, ni sin experiencia y conocimiento, salvo que estén bajo supervisión o que hayan recibido las instrucciones correspondientes acerca del uso del aparato por parte de una persona responsable de su seguridad.
21. Los niños deben estar bajo supervisión para garantizar que no jueguen con el aparato.
22. Este producto está diseñado únicamente para uso en interiores, no comercial y no industrial, en ambientes temporalmente calefaccionados. No lo utilice en exteriores.
23. No haga funcionar el producto continuamente. Los calentadores eléctricos portátiles están diseñados para calefaccionar un espacio reducido o como fuente de calor complementaria. No están diseñados para ser fuentes principales de calor durante la temporada habitual en la que se necesita calefacción.
24. No cuelgue el producto ni lo monte en la pared.
25. Colóquelo en posición vertical sobre una superficie plana, nivelada, estable y resistente al calor.

ADVERTENCIA: Este producto está equipado con un enchufe polarizado (una clavija es más ancha que la otra) para reducir el riesgo de descarga eléctrica. El enchufe podrá colocarse en un tomacorriente polarizado de una sola manera. Ésta es una medida de seguridad. Si no puede colocar el enchufe en el tomacorriente eléctrico, intente invirtiendo el enchufe. Si aún así no puede, póngase en contacto con un electricista calificado. Evite el uso de un cable prolongador, ya que éste podría sobrecalentarse y provocar un riesgo de incendio. No obstante, si es necesario utilizar un cable prolongador, éste debe tener un tamaño mínimo No. 14 AWG (medida de conductor estadounidense) y una clasificación no inferior a 1875 vatios. El cable prolongador debe ser un cable trifilar con conexión de cable y enchufe de conexión a tierra. El cable prolongador no deberá tener más de 6 metros (20 pies) de longitud.

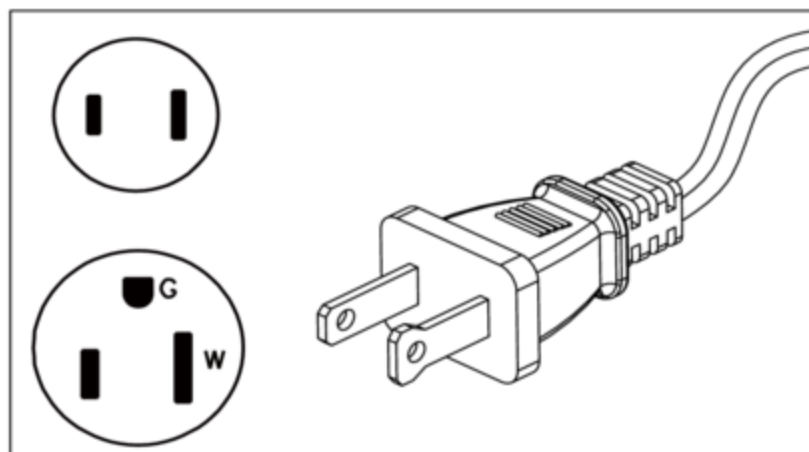


Figura A

GUARDE ESTAS INSTRUCCIONES

ESPECIFICACIONES ELÉCTRICAS

Voltaje	Frecuencia	Potencia en vatios (Max)	Amperaje máximo
120 V~	60 Hz	1500 vatios	12,5 A

Nota: Tolerancias en todas las especificaciones: +5%, -10%.

INFORMACIÓN DE ORIENTACIÓN DEL PRODUCTO

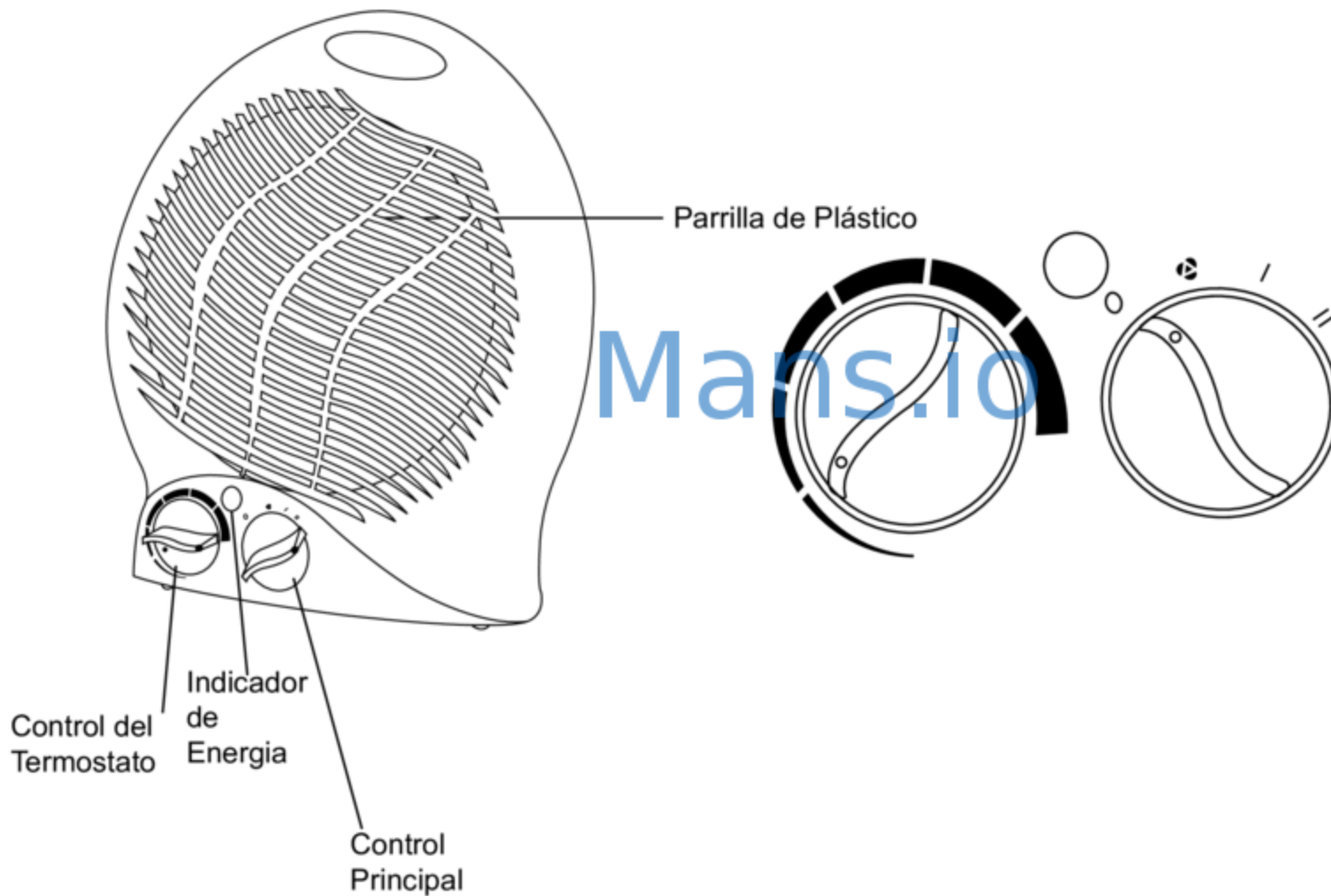


Figura B

INSTRUCCIONES DE OPERACIÓN

1. Coloque el producto en posición vertical sobre una superficie plana, nivelada, estable y resistente al calor, y luego enchufe el cable de electricidad en un tomacorriente eléctrico estándar de 120 voltios.
2. Perilla de control principal: Utilice esta perilla para configurar el ajuste de temperatura (Figura B): "▶"-Sólo ventilador (sin temperatura), ".I" – Ajuste de temperatura baja (750 vatios), "II" – Ajuste de temperatura alta (1500 vatios).
3. Gire la perilla de control del termostato en sentido de las agujas del reloj hasta su punto máximo (Figura B).
4. Deje el producto funcionando hasta que la temperatura del ambiente alcance el nivel de comodidad deseado.
5. Gire lentamente la perilla de control del termostato en sentido contrario a las agujas del reloj hasta que el calentador se apague. El producto mantendrá un ciclo de encendido y apagado para mantener la configuración.
6. Para ajustar el termostato, gire la perilla de control del termostato hacia la posición máximo para aumentar la temperatura ambiente configurada y hacia mínimo para disminuirla.
7. Apague el producto rotando la perilla de control principal hasta la posición "O" (apagado) y luego desenchufe el producto del tomacorriente eléctrico.

ADVERTENCIA: Siempre desenchufe el producto cuando no lo utilice o si lo deja sin supervisión.

Mansio

SISTEMAS DE PROTECCIÓN DE SEGURIDAD

Este producto cuenta con controles de seguridad y protección que lo desconectan cuando las piezas se calientan excesivamente o en caso de un vuelco. Si el producto se desconecta, gire de inmediato el control a la posición de apagado ("OFF") y desenchúfelo del tomacorriente eléctrico. Si se recalienta:

- a. Retire todos los objetos que estén cerca del producto que pudieran provocar sobrecalentamiento. Utilice el producto en un área bien ventilada. Mantenga al menos 3 pies (0,9 metros) de espacio en todos los lados del producto para permitir una circulación de aire adecuada.
- b. Deje que el producto se enfríe durante al menos diez minutos antes de volver a enchufarlo en un tomacorriente eléctrico para volver a usarlo.

Si se vuelca:

Coloque el producto en una superficie plana, nivelada y estable a fin de evitar que vuelva a volcarse.

CONSEJO: Siempre instale al menos un detector de humo y manténgalo en buenas condiciones operativas en cada piso de su hogar. Periódicamente, revise la batería del detector de humo y reemplácela por una nueva.

CUIDADO Y MANTENIMIENTO

ADVERTENCIA: No intente desarmar el producto por ninguna razón, ya que si se vuelve a armar de forma incorrecta, podría provocar un riesgo de incendio o descarga eléctrica. Todo servicio de mantenimiento debe ser realizado por personal calificado.

ADVERTENCIA: Siempre desenchufe el producto del tomacorriente eléctrico y deje que se enfríe antes de limpiarlo o almacenarlo.

AVISO: Este producto permanece lubricado en fábrica antes del envío y no necesitará lubricarse más durante su vida útil.

Limpie sólo la superficie exterior con un paño suave y húmedo, y deje que se seque por completo antes de almacenarlo o usarlo. El polvo puede retirarse de cualquiera de las ventilaciones utilizando una pequeña aspiradora.

ADVERTENCIA: No permita que ingrese agua u otros líquidos en el interior del producto.

AVISO: No utilice almohadillas o limpiadores abrasivos para limpiar el producto.

Para guardar el cable de electricidad, enrósquelo y asegúrelo con un sujetador de alambre o una banda elástica, y luego coloque el producto en un lugar fresco y seco.

Mans.io

GARANTÍA LIMITADA DE 1 AÑO

El fabricante garantiza que su nueva estufa eléctrica no presentará defectos de fabricación ni materiales durante un período de un año a partir de la fecha de compra, siempre y cuando se cumplan las siguientes condiciones y limitaciones.

1. Esta estufa eléctrica se debe instalar y operar en todo momento de acuerdo con las instrucciones de instalación y operación proporcionadas con el producto. Cualquier reparación no autorizada, alteración, abuso deliberado, accidente o uso inadecuado del producto anulará esta garantía.
2. Esta garantía no es transferible y sólo está disponible para el propietario original, siempre y cuando la compra se haya realizado a través de un proveedor autorizado del producto.
3. Esta garantía se limita a la reparación o reemplazo de piezas que se consideren defectuosas en material o mano de obra, siempre y cuando dicha pieza haya estado sometida a condiciones normales de uso y servicio, después de que una inspección por parte del fabricante confirme dicho defecto.
4. El fabricante podrá, bajo su criterio, eximirse de toda obligación respecto de esta garantía reembolsando el precio al por mayor de la pieza defectuosa.
5. Esta garantía no cubre ningún costo de instalación, mano de obra, fabricación, transporte o de otro tipo que surja de la pieza defectuosa, su reparación, reemplazo u otra situación, y el fabricante no asume ninguna responsabilidad por las mismas.
6. El dueño/usuario asume todos los riesgos, si los hay, incluidos los riesgos de daños o pérdidas directos, indirectos o resultantes que surjan del uso del producto, o de la incapacidad para usarlo, salvo que la ley estipule lo contrario.
7. Mediante el presente, se excluye expresamente cualquier otra garantía, expresa o implícita, respecto del producto, sus componentes y accesorios, o cualquier otra obligación o responsabilidad de parte del fabricante.
8. El fabricante no asume ni autoriza a ningún tercero a asumir en su nombre ninguna otra responsabilidad respecto de la venta de este producto.
9. Las garantías descritas en este documento no se aplican a accesorios que no sean del fabricante y que se usen junto con la instalación de este producto.
10. Esta garantía le otorga derechos legales específicos y es posible que usted tenga otros derechos, que varían según el estado.

Esta garantía es nula si:

- a. La chimenea está sometida a períodos prolongados de humedad o condensación.
- b. Se produce cualquier alteración no autorizada, abuso deliberado, accidente o uso inadecuado del producto.
- c. Usted no tiene el recibo original de compra.

SI SE NECESITA SERVICIO DE GARANTÍA

Póngase en contacto con el fabricante llamando al departamento de Servicio al Cliente al 1-800-318-9374, de lunes a viernes de 9 a.m. a 5 p.m., hora estándar del Este. Asegúrese de tener su garantía, su recibo de venta, la identificación del lugar de compra y el modelo o número de serie de su producto.

INSTRUCTION MANUAL ENCLOSED
MANUEL D'INSTRUCTION À L'INTÉRIEUR
MANUAL DE INSTRUCCIONES ADJUNTO



ATTENTION



IF YOU HAVE ANY PROBLEMS OR QUESTIONS, EMAIL
OR CALL CUSTOMER SERVICE BEFORE YOU RETURN
THIS PRODUCT TO THE STORE WHERE IT WAS PURCHASED.

For Customer Service:

www.twinstarhome.com/duraflame/
in English Call: 800-318-9373



ATTENTION



SI VOUS AVEZ DES PROBLÈMES OU QUESTIONS,
ENVOYEZ UN COURRIEL AU SERVICE À LA CLIENTÈLE OU
APPELEZ LE SERVICE À LA CLIENTÈLE AVANT DE RETOURNER
CE PRODUIT OU VOUS L'AVEZ ACHETÉ.

Pour le service à la clientèle:

www.twinstarhome.com/duraflame/
pour le service en français: 800-318-9374



ATENCIÓN



SI TIENE ALGÚN PROBLEMA O PREGUNTAS, ENVÍE UN
MENSAJE DE CORREO ELECTRÓNICO O LLAME AL SERVICIO
DE ATENCIÓN AL CLIENTE ANTES DE DEVOLVER ESTE
PRODUCTO A LA TIENDA EN LA QUE LO COMPRÓ.

Servicio de atención al cliente:

www.twinstarhome.com/duraflame/
Línea para llamadas en español: 800-318-9374

INSTRUCTION MANUAL ENCLOSED
MANUEL D'INSTRUCTION À L'INTÉRIEUR
MANUAL DE INSTRUCCIONES ADJUNTO