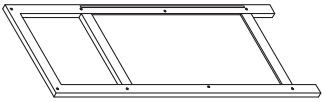
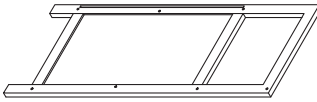


Parts List



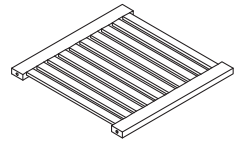
A

x1



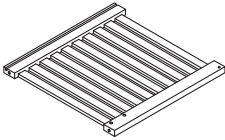
B

x1



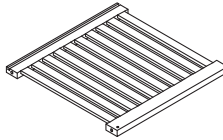
C

x1



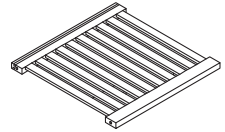
D

x1



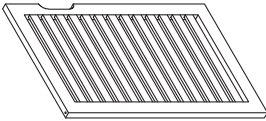
E

x1



F

x1



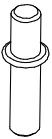
G

x1



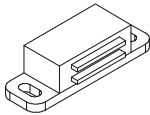
H

x2



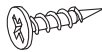
I

x2



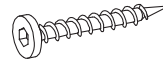
J

x1



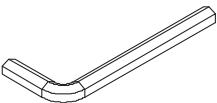
K

x2



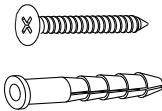
L

x16



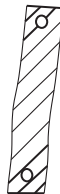
M

x1



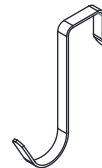
N

x1

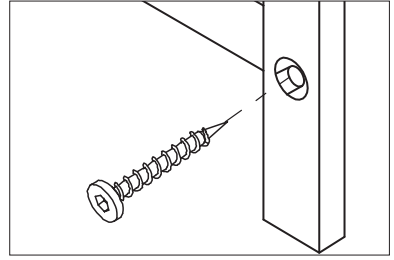
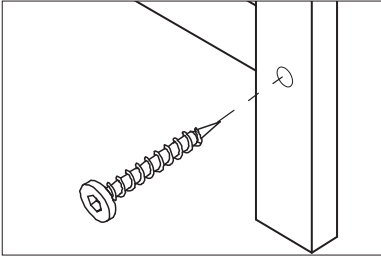


O

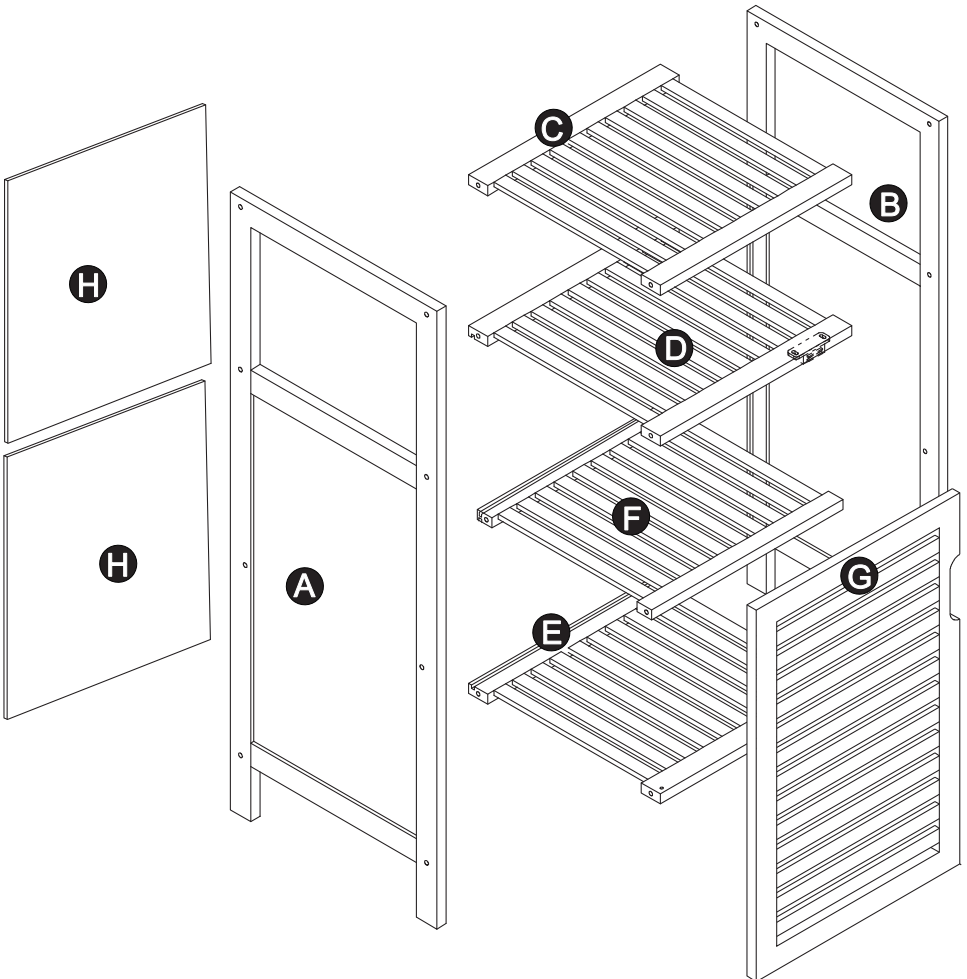
x4



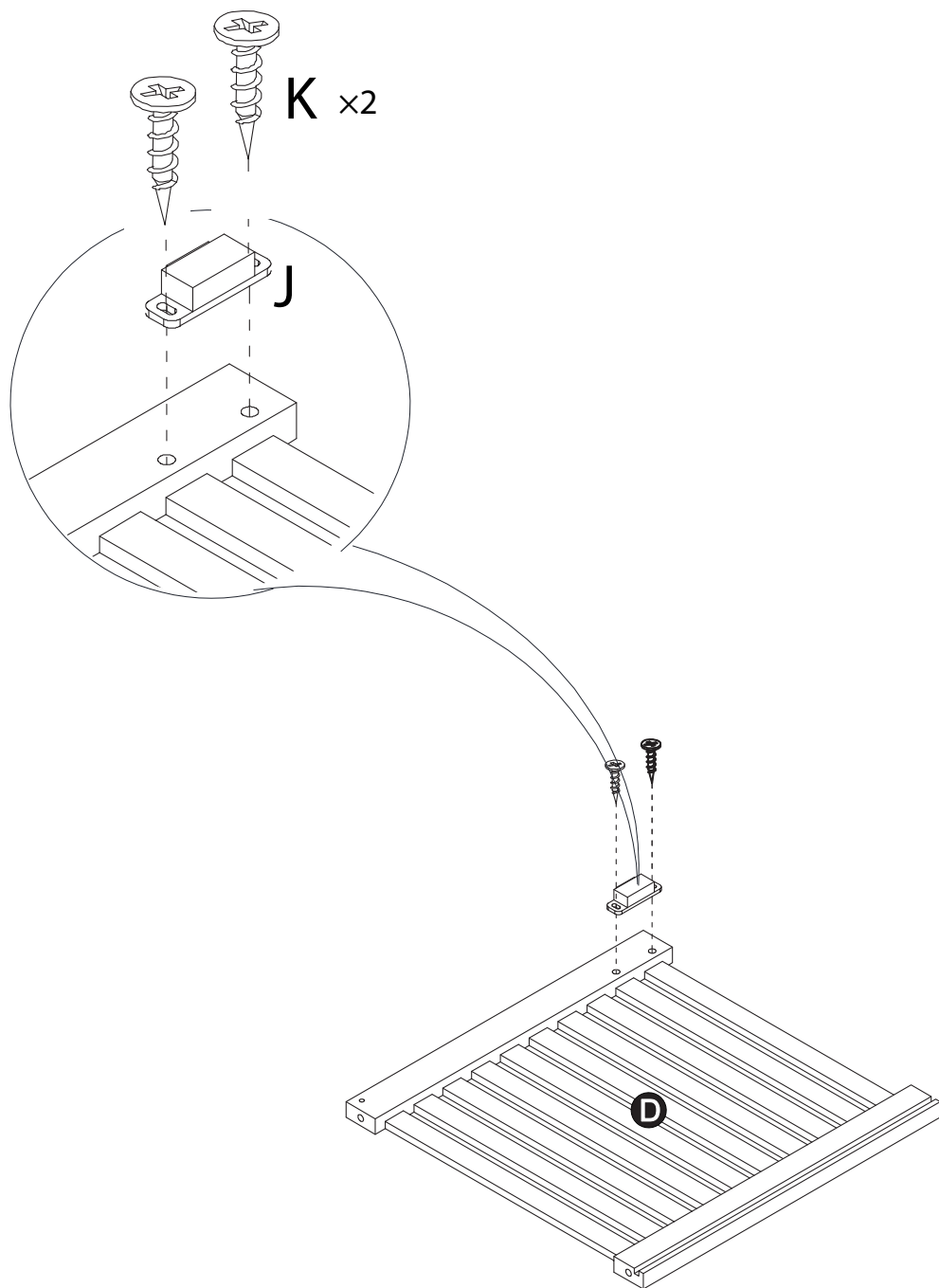
Pay attention



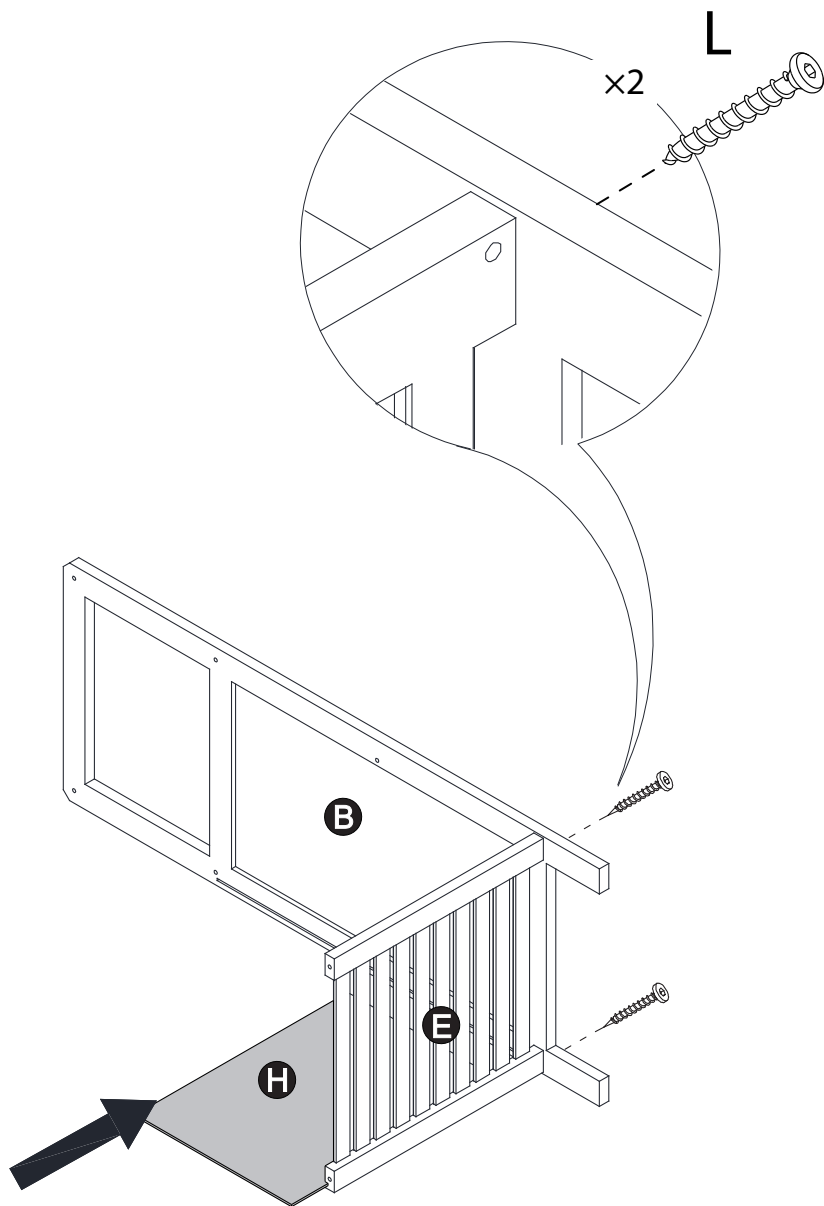
Countersunk hole



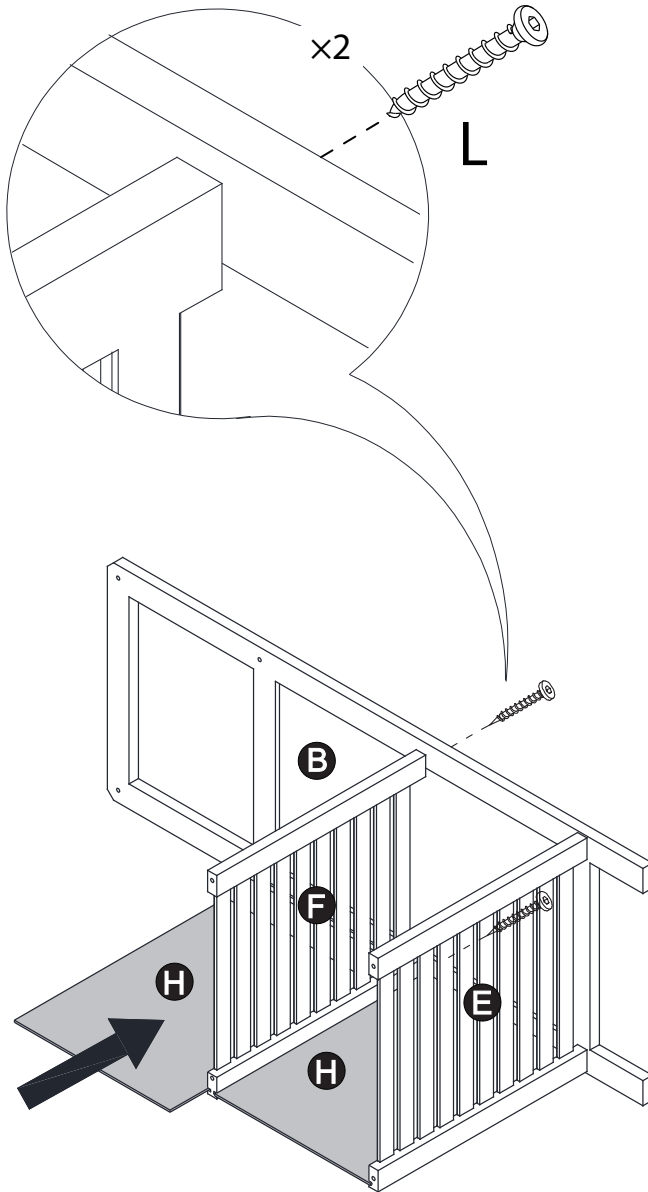
1



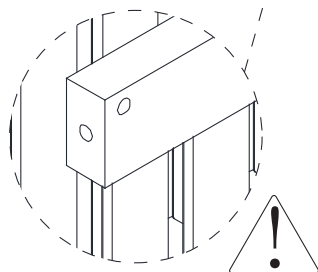
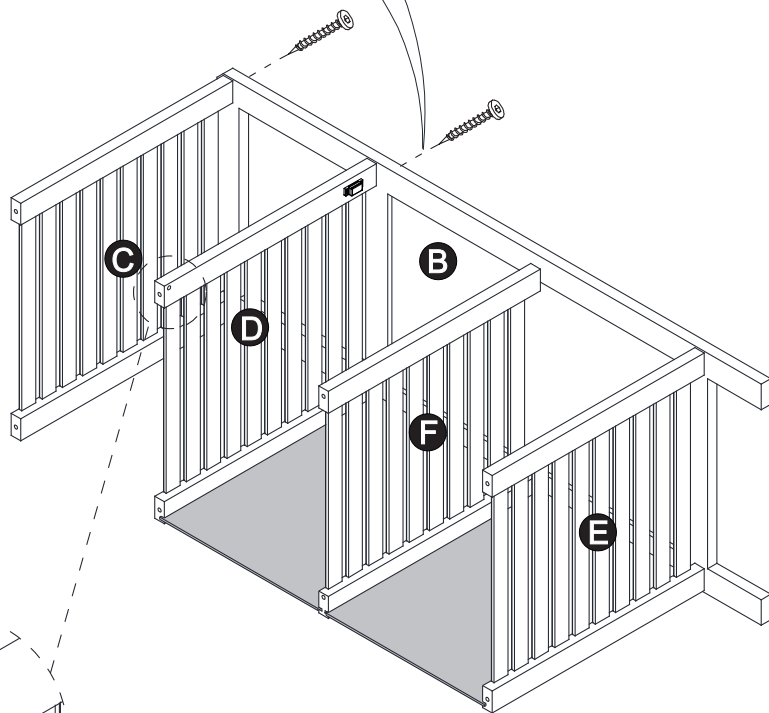
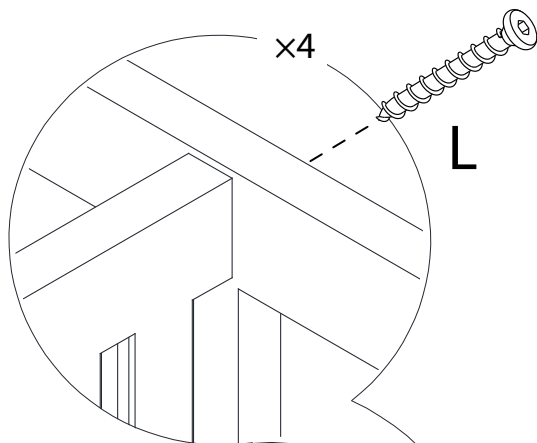
2



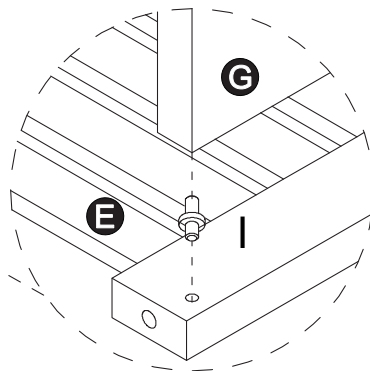
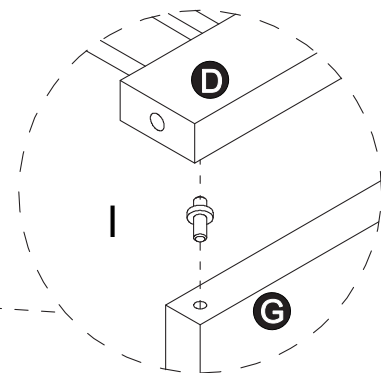
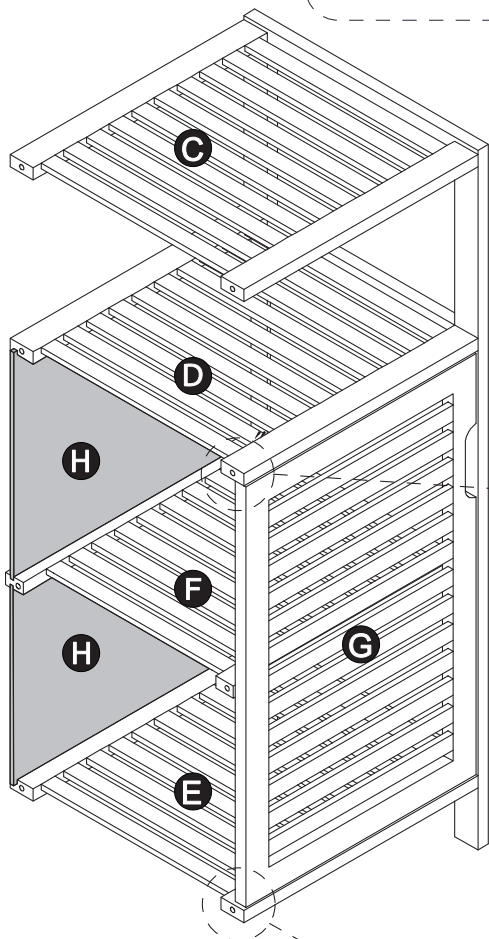
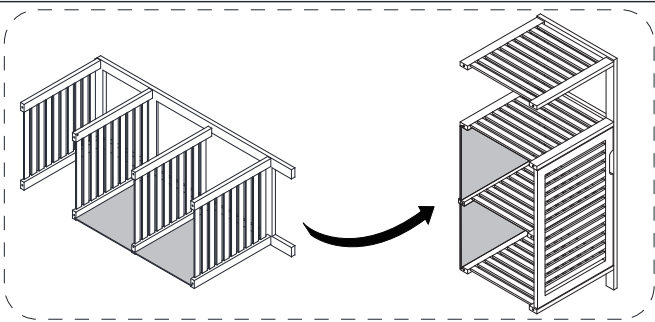
3



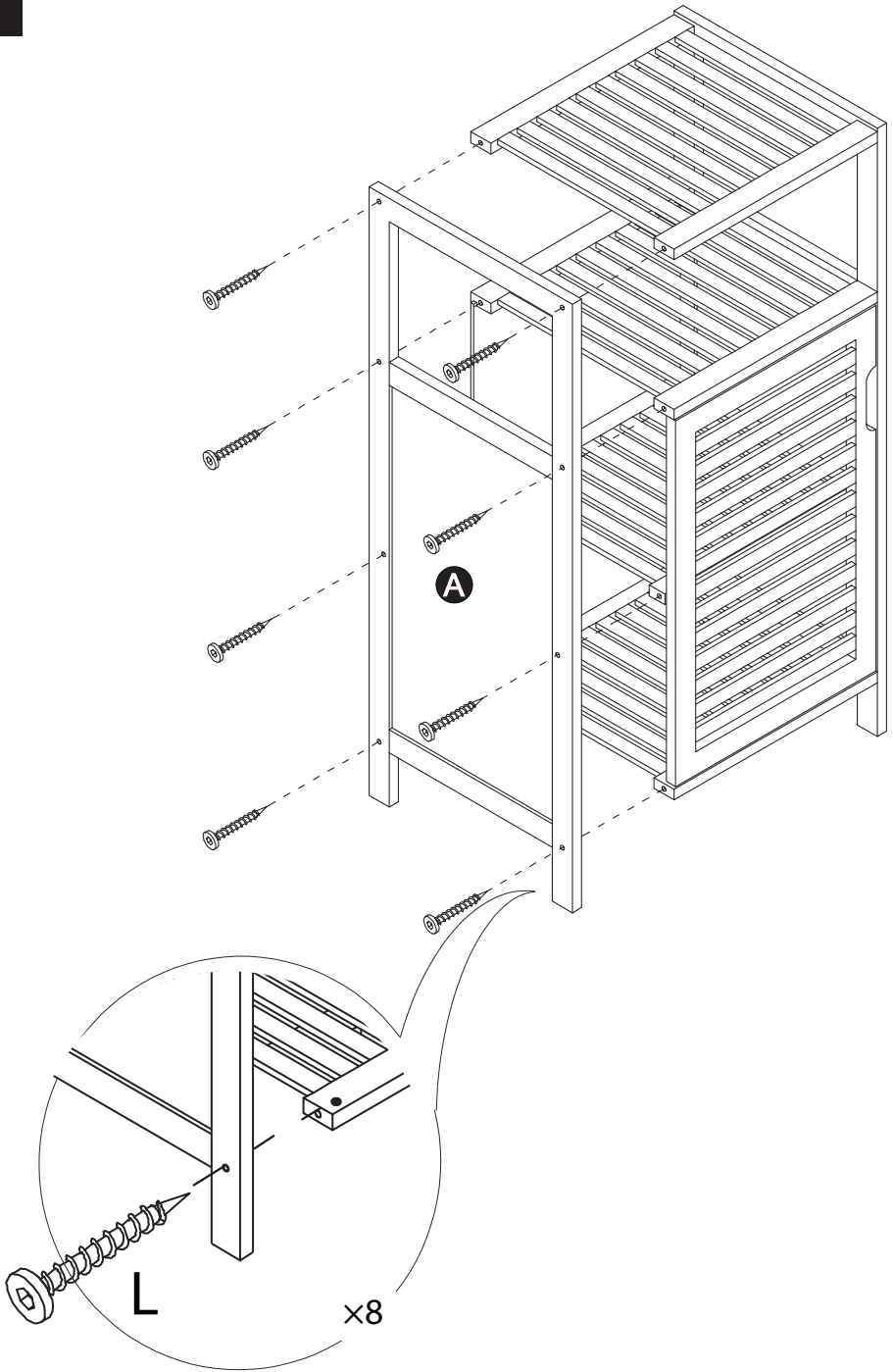
4



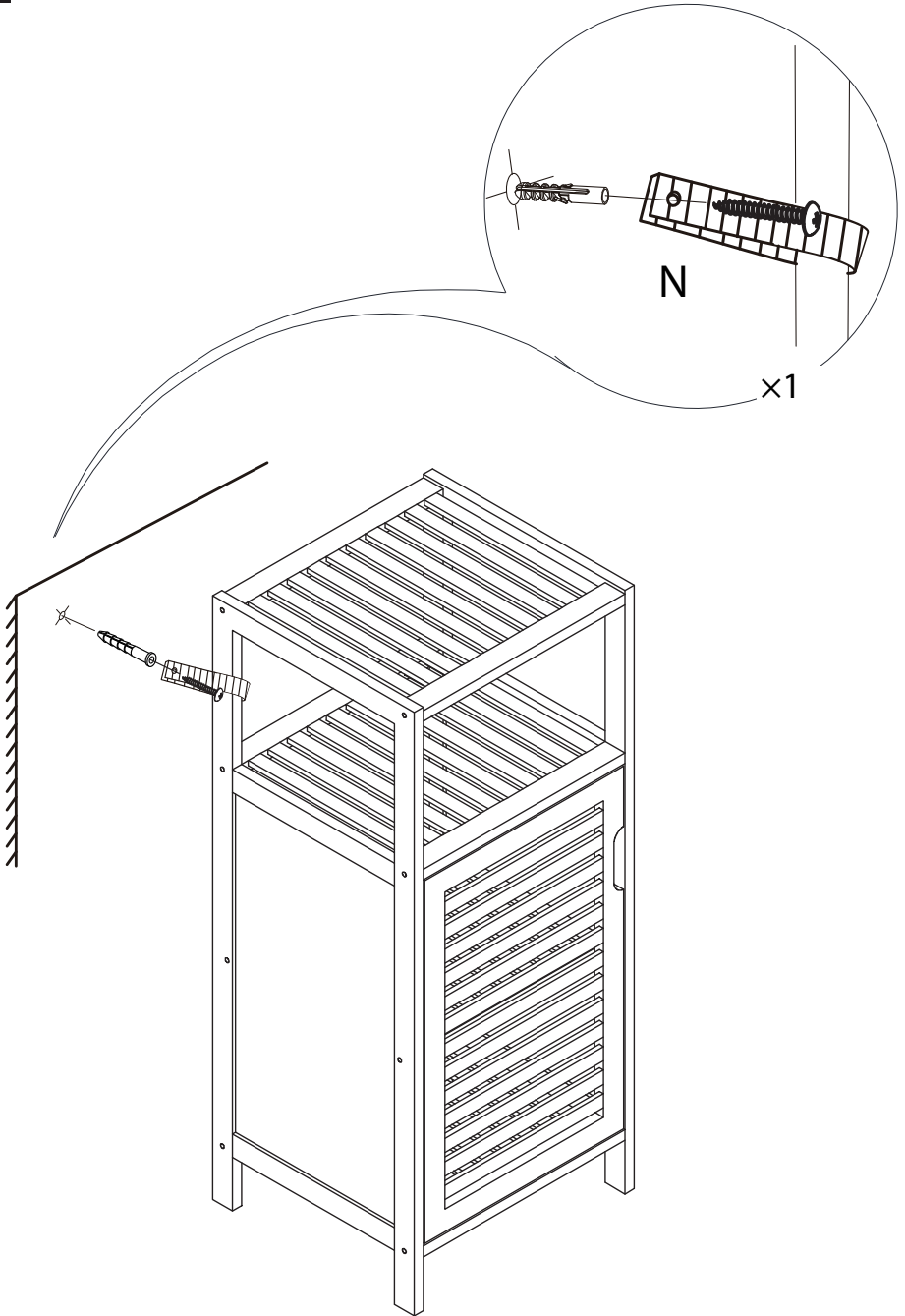
5



6



7



8

