

Thank you for purchasing the MB-118 MOBILE MOUNTING BRACKET. The MB-118 is designed to mount an Icom HF transceiver or receiver in place such as an under a table, on a wall or in a vehicle.

Please read these instructions thoroughly before mounting your equipment.

SUPPLIED ITEMS

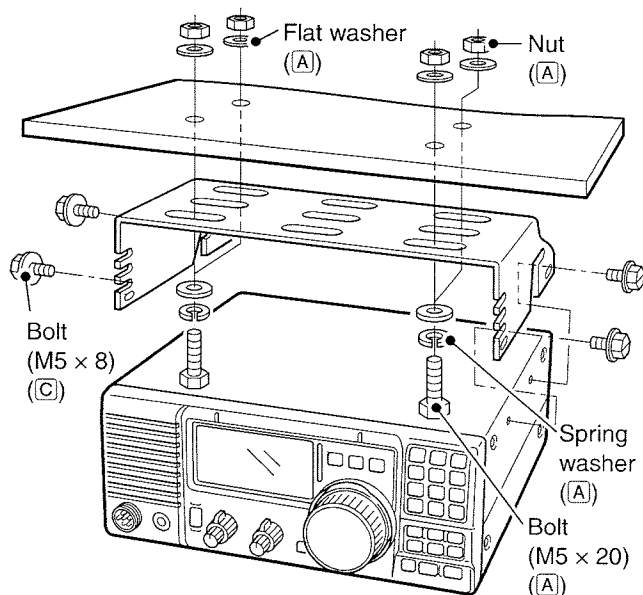
Screw set (A)	Qty	Screw set (B)	Qty
Screws (A0 5 × 20)	4	Bolts (M4 × 8)	4
Spring washers (M5)	4		
Flat washers (M5).....	8	Screw set (C)	Qty
Bolts (M5 × 20)	4	Bolts (M5 × 8)	4
Nuts (M5)	4		

MOUNTING

◇ Mounting IC-R75, IC-78 or IC-718

Mount the transceiver or a receiver securely with the four A0 5 × 20 screws or M5 × 20 bolts (packed in screw set **(A)**) to a thick surface which can support more than 3.80 kg (8.3 lb; transceiver) or more than 3.0 kg (6.6 lb; receiver).

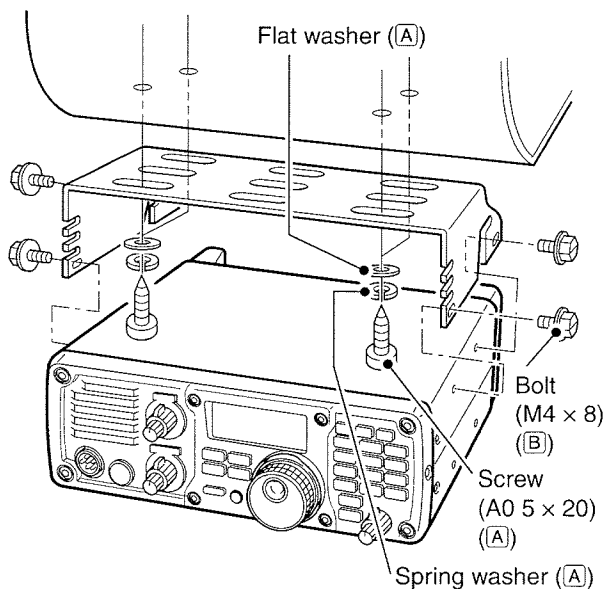
CAUTION: Use **ONLY** the M5 × 8 bolts packed in screw set **(C)** to mount the transceiver or receiver to the bracket. Using longer bolts may damage the equipment's case and internal units.



◇ Mounting IC-7200

Mount the transceiver securely with the four A0 5 × 20 screws or M5 × 20 bolts (packed in screw set **(A)**) to a thick surface which can support more than 5.5 kg (12.1 lb).

CAUTION: Use **ONLY** the M4 × 8 bolts packed in screw set **(B)** to mount the transceiver to the bracket. Using longer bolts may damage the transceiver's case and internal units.



- (A)** : Packed in screw set **(A)**
- (B)** : Packed in screw set **(B)**
- (C)** : Packed in screw set **(C)**